



S9k Server Installation Guide

Document Version 1.0

Jun. 2019

© Copyright Bitmain Technologies Holding Company 2007 – 2022. All rights reserved.

Bitmain Cayman (hereinafter referred to as 'Bitmain') reserves the right to make corrections, modifications, enhancements, improvements, and other changes to its products and services at any time and to discontinue any product or service without notice.

Customers should obtain the latest relevant information before placing orders and should verify that such information is current and complete. All products are sold subject to Bitmain's terms and conditions of sale supplied at the time of order acknowledgment.

Bitmain warrants performance of its products to the specifications applicable at the time of sale in accordance with Bitmain's standard warranty. Testing and other quality control techniques are used to the extent Bitmain deems necessary to support this warranty. Except where mandated by government requirements, testing of all parameters of each product is not necessarily performed.

Bitmain assumes no liability for third-party applications assistance. Customers are responsible for their products and applications using Bitmain components. To minimize the risks associated with customer products and applications, customers should provide adequate design and operating safeguards.

Bitmain does not warrant or represent that any license, either express or implied, is granted under any Bitmain patent right, copyright or other Bitmain intellectual property right relating to any combination, machine, or process in which Bitmain products or services are used. Information published by Bitmain regarding third-party products or services does not constitute a license from Bitmain to use such products or services or a warranty or endorsement thereof. Use of such information may require a license from a third party under the patents or other intellectual property of the third party, or a license from Bitmain under the patents or other intellectual property of Bitmain.

Resale of Bitmain products or services with statements different from or beyond the parameters stated by Bitmain for that product or service voids all express and any implied warranties for the associated Bitmain product or service and is an unfair and deceptive business practice. Bitmain is not responsible or liable for any such statements.

All company and brand products and service names are trademarks or registered trademarks of their respective holders.

All text and figures included in this publication are the exclusive property of Bitmain, and may not be copied, reproduced, or used in any way without the express written permission of Bitmain. Information in this document is subject to change without notice and does not represent a commitment on the part of Bitmain. Although the information in this document has been carefully reviewed, Bitmain does not warrant it to be free of errors or omissions. Bitmain reserves the right to make corrections, updates, revisions or changes to the information in this document.

Bitmain

Tel:+86-400-890-8855

www.bitmain.com

Table of Contents

1. Overview.....	4
1.1 S9k Server Components.....	5
1.2 Connecting to the Power Supply.....	6
1.3 Specifications.....	8
2. Setting Up the Server.....	10
3. Configuring the Server.....	12
4. Monitoring Your Server.....	13
5. Administering Your Server.....	14
5.1 Checking Your Firmware Version.....	14
5.2 Upgrading Your System.....	14
5.3 Modifying Your Password.....	15
5.4 Restoring Initial Settings.....	15
Environmental Requirements.....	16
Regulations.....	18

1. Overview

The S9k server is Bitmain's newest version in the S9k server series. All S9k servers are tested and configured prior to shipping to ensure easy set up.



Front View



Back View



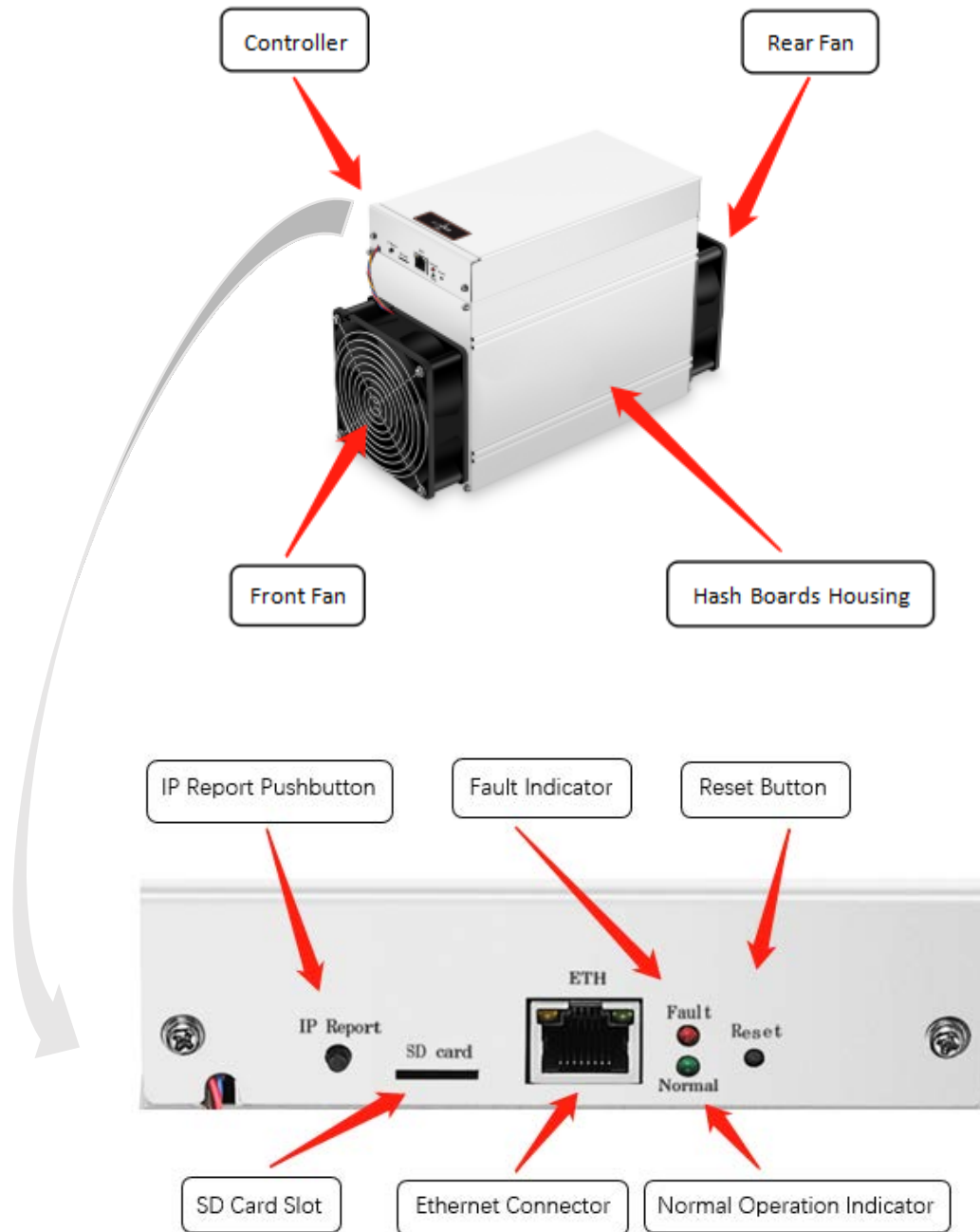
Placement



1. You must provide your own ATX power supply.
2. Please refer to the layout above to place your goods in usage in case of any damage.

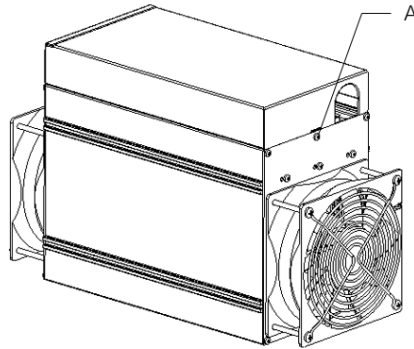
1.1 S9k Server Components

The main components and controller front panel of S9k server are shown in the following figure:

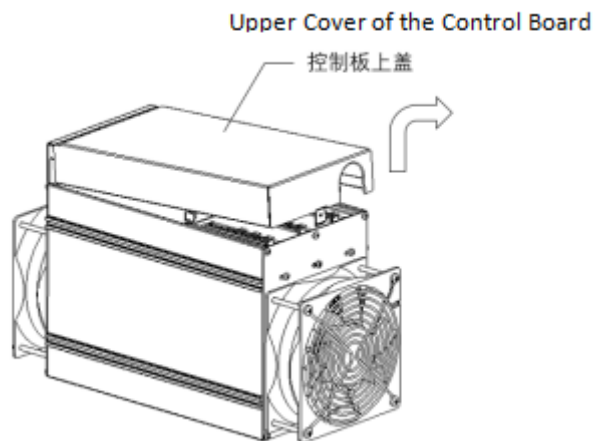


1.2 Connecting to the Power Supply

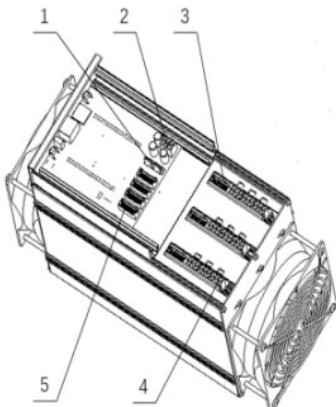
1.Remove the screw at the position indicated by A with a cross screwdriver.



2.Lift the upper cover of the control board upward at the direction indicated by the arrow shown in the figure and then pull it at the upper rear direction.

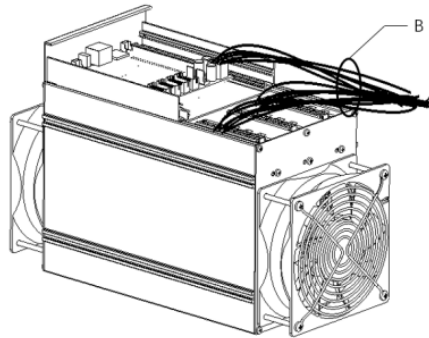


3.The position and name of the socket are shown in the figure blow after removing the upper cover of the control board.

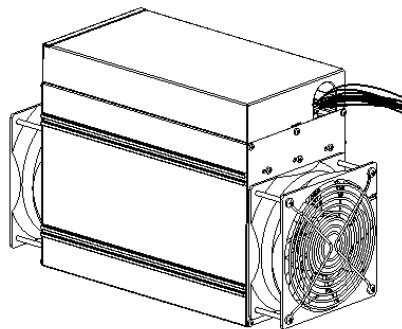


No.	Item	Quantity
1	Fan Socket	2
2	Main Control PSU Socket	1
3	Hashboard Signal Socket	3
4	Hashboard PSU Socket	9
5	Main Control Board PSU Socket	4

4. Connecting the external power supply to the corresponding socket of the server and then bind the cables at the position indicated by B.



5. Put the upper cover of the control board back in place and fix the screw at the position indicated by A. Note that the bundled cables shall be placed into the U-shaped hole.



Warning: Energy Hazards!

Please be sure to follow the manual for installation.

Risk of injury due to energy hazard exists inside.

Be sure to close the metal cover before powering on the equipment, otherwise there is a risk of injury.

Be sure to use external power supply which was approved according to IEC 60950-1:2005 + A1 + A2 or IEC 62368-1:2014. The external power supply shall provide SELV output and be evaluated.

1.3 Specifications

Model No.: 120-K

Version: S9k

Product Glance	Value
Crypto Algorithm/Coins	SHA256/BTC/BCH
Hashrate, TH/s	13.50
Reference power on wall, Watt	1148
Reference power efficiency on wall @25°C, J/TH	85.00
Adapted AC/DC output requirement, Watt/ Volt	1389 / 12.00

Detailed Characteristics	Value		
	Min	Typ	Max
Hashrate & Power			
Hashrate, TH/s		13.50	13.95
Power efficiency on wall @25°C, J/TH ⁽¹⁻¹⁾	85.00		90.95
Power efficiency on wall @40°C, J/TH ⁽¹⁻²⁾	90.07		96.37
Reference power on wall, Watt ⁽¹⁻³⁾	1148		1344
DC input voltage range, Volt ⁽¹⁻⁴⁾	11.60	12.00	13.00
DC input current range, Amp ⁽¹⁻⁵⁾		95.7	115.9
Adapted AC/DC output power requirement, Watt ⁽¹⁻⁶⁾	1250	1389	
Hardware Configuration			
Quantity of hash chips	180		
Quantity of hash boards	3		
Networking connection mode	RJ45 ethernet 10/100M		
Server Size (Length*Width*Height, w/o package), mm ⁽²⁻¹⁾	298.0*129.6*187.5/321.3*129.6*200.0		
Net weight, kg ⁽²⁻²⁾	3.95/4.50		
Noise, dBA @25°C ⁽²⁻³⁾			76
Environment Requirements			
Operation temperature, °C	0	25	40
Storage temperature, °C	-40	25	85


Operation humidity, RH	5%		95%
------------------------	----	--	-----

Notes:


- (1-1) Refers PSU power conversion efficiency of 93%.
- (1-2) Refers PSU power conversion efficiency of 93%.
- (1-3) Min condition: 25°C, minJ/TH, typical hashrate.
Max condition: 40°C, max J/TH, max hashrate.
Refers PSU power conversion efficiency of 93%.
- (1-4) **Caution: Wrong input voltage may probably cause server damaged.**
- (1-5) Typ condition: min reference power, typical DC input voltage.
Max condition: max reference power, min DC input voltage.
- (1-6) Min condition: 40°C, max J/TH, max hashrate,
PSU output power should be no less than the min value to make sure mining stable.
Typical condition: (typical power) = (min power)/90%, leave power output margin for PSU.
Caution: It is strongly recommended that using typical power can make sure your server work well. You can use one PSU to power multiple boards. Do not attempt to power one board with more than one PSU. All PCI-E ports are required to plug in while powering up the board.
- (2-1) Domestic and international version.
- (2-2) Domestic and international version.
- (2-3) Max condition: Fan is under max RPM(rotation per minute).

2. Setting Up the Server

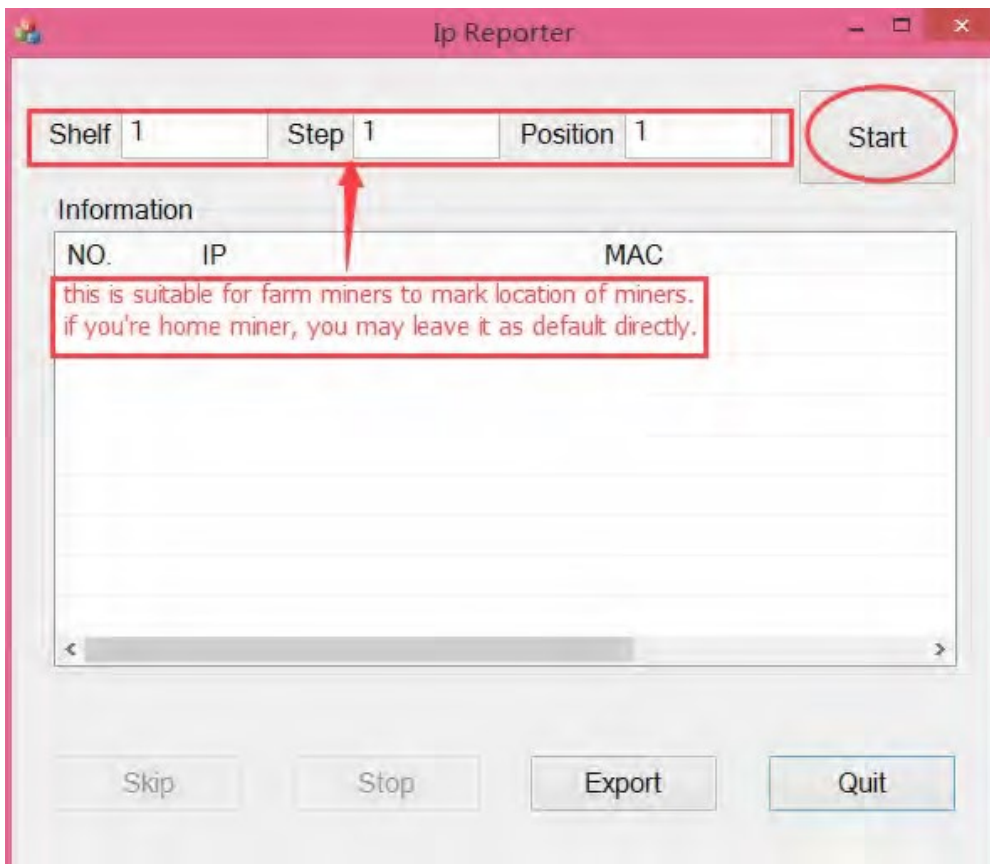
To set up the server:

 The file IPReporter.zip is supported by Microsoft Windows only.

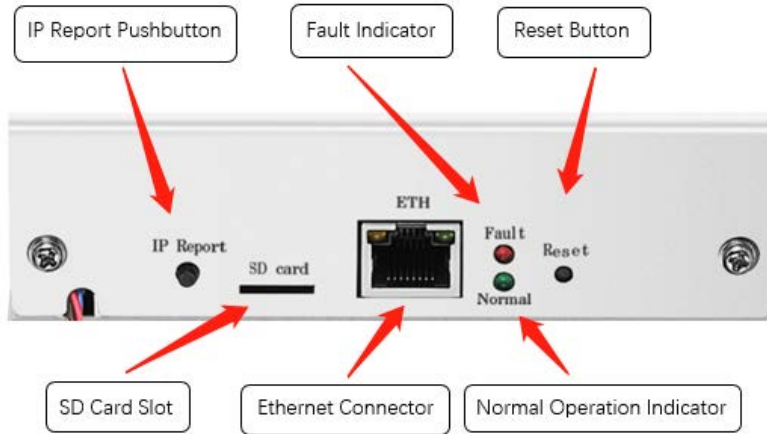
1. Go to the following site:
<https://shop.bitmain.com/support.htm?pid=00720160906053730999PVD2K0vz0693>
2. Download the following file: IPReporter.zip.
3. Extract the file.

 The default DHCP network protocol distributes IP addresses automatically.

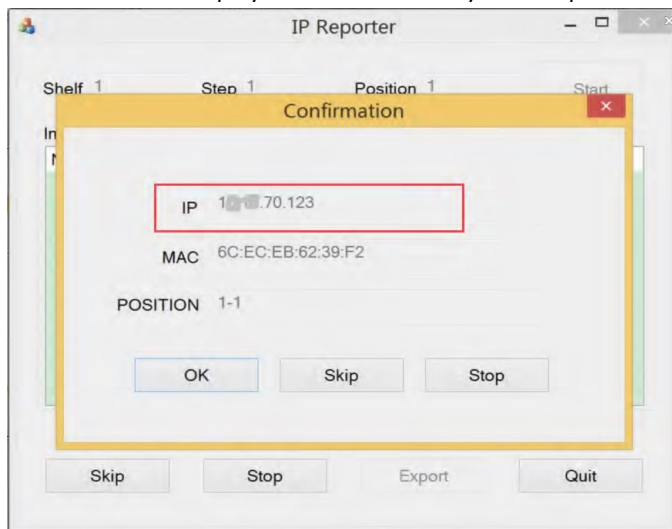
4. Right-click **IPReporter.exe** and run it as Administrator.
5. Select one of the following options:
 - Shelf, Step, Position – suitable for farm servers to mark the location of the servers.
 - Default – suitable for home servers.
6. Click **Start**.



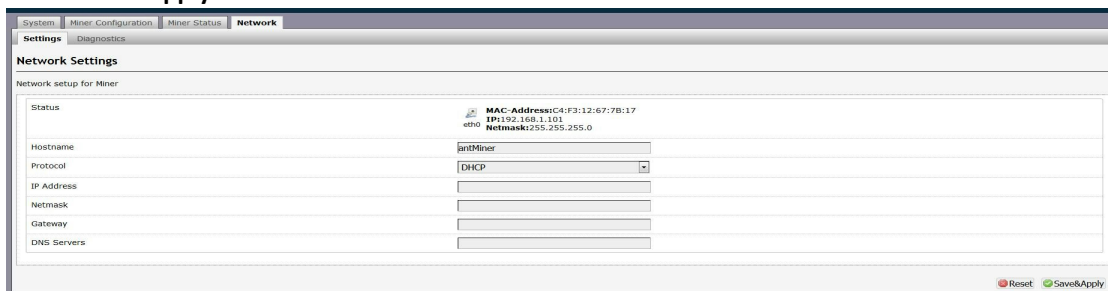
- On the controller board, click the IP Report button. Hold it down until it beeps (about 5 seconds).



The IP address will be displayed in a window on your computer screen.



- In your web browser, enter the IP address provided.
- Proceed to login using root for both the username and password.
- In the Network section, you can assign a DHCP IP address (optional).
- Click **Save & Apply**.

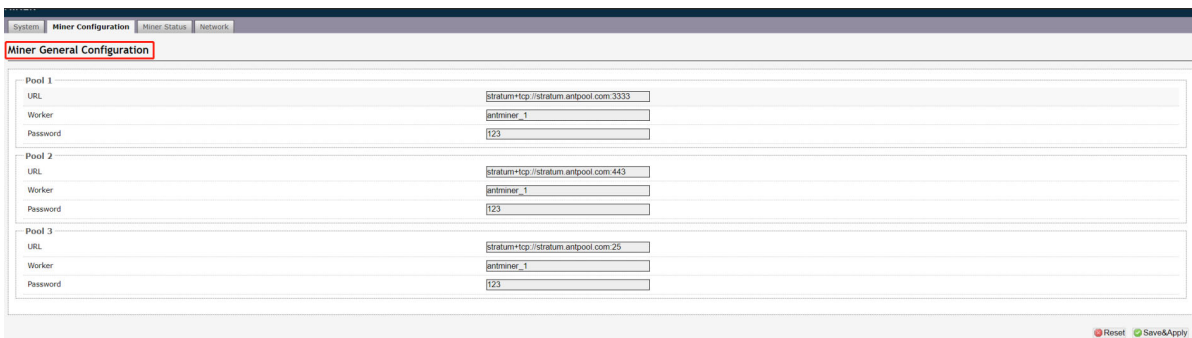


3. Configuring the Server


Setting Up the Pool

To configure the server:

1. click **General Settings**.



2. Set the options according to the following table:

Option	Description
Pool URL	<p>Enter the URL of your desired pool.</p> <div style="border: 1px solid black; padding: 10px; margin: 10px 0;"> <p> The S9k server can be set up with three mining pools, with decreasing priority from the first pool (pool 1) to the third pool (pool 3). The pools with low priority will only be used if all higher priority pools are offline.</p> </div>
Worker	Your worker ID on the selected pool.
Password	The password for your selected worker.

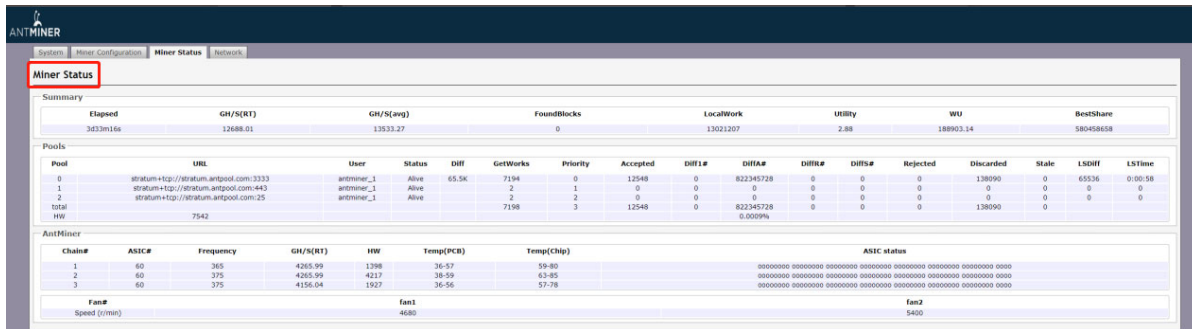
3. Click **Save & Apply** to save and restart the server.

4. Monitoring Your Server


To check the operating status of your server:

1. Click the status marked below.

Here is an example of S9k-13.5T server:



The screenshot shows the ANTMINER Miner Status interface. It includes a 'Summary' section with metrics like Elapsed (3d33m16s), GH/S(RT) (12688.01), GH/S(avg) (13533.27), FoundBlocks (0), LocalWork (13021207), URllity (2.88), WU (188903.14), and BestShare (580458658). Below this is a 'Pools' table with columns for Pool, URL, User, Status, DHR, GetWorks, Priority, Accepted, DHR#, DHR#, DHR#, DHR#, Rejected, Discarded, State, LSDH, and LSTime. The 'AntMiner' section at the bottom shows a table with columns for Chain#, ASIC#, Frequency, GH/S(RT), HW, Temp(PCB), Temp(CHIP), and ASIC status.

 Note: The S9k server is with automatic frequency. Firmware will stop running when the Temp(PCB) reaches to 85°C or the Temp(Chips) reaches to 105°C, there will be an error message “Fatal Error: Temperature is too high!” shown in the bottom of kernel log page.

2. Monitor your server according to the descriptions in the following table:

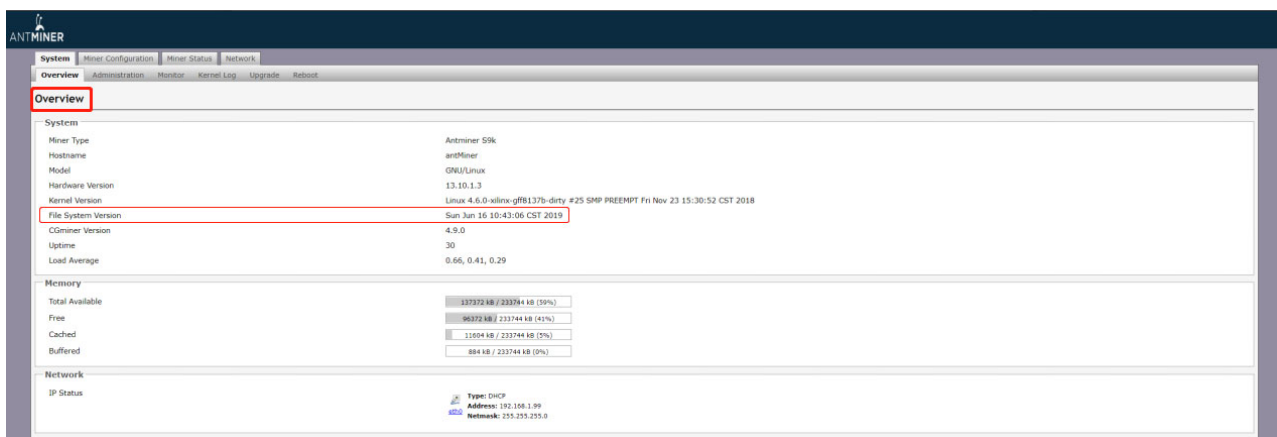
Option	Description
ASIC#	Number of chips detected in the chain.
Frequency	ASIC frequency setting.
GH/S(RT)	Hash rate of each hash board (GH/s).
Temp(PCB)	Temperature of each hash board (°C). (Applied only to server with fixed frequency).
Temp(CHIP)	Temperature of the chips on each hash board (°C).
ASIC status	One of the following statuses will appear: <ul style="list-style-type: none"> ● O - indicates OK ● X - indicates error ● - - indicates dead

5. Administering Your Server

5.1 Checking Your Firmware Version

To check your firmware version:

1. In **System**, click the **Overview** tab.
2. **File System Version** displays the date of the firmware your server uses. In the example below, the server is using firmware version 20190616.



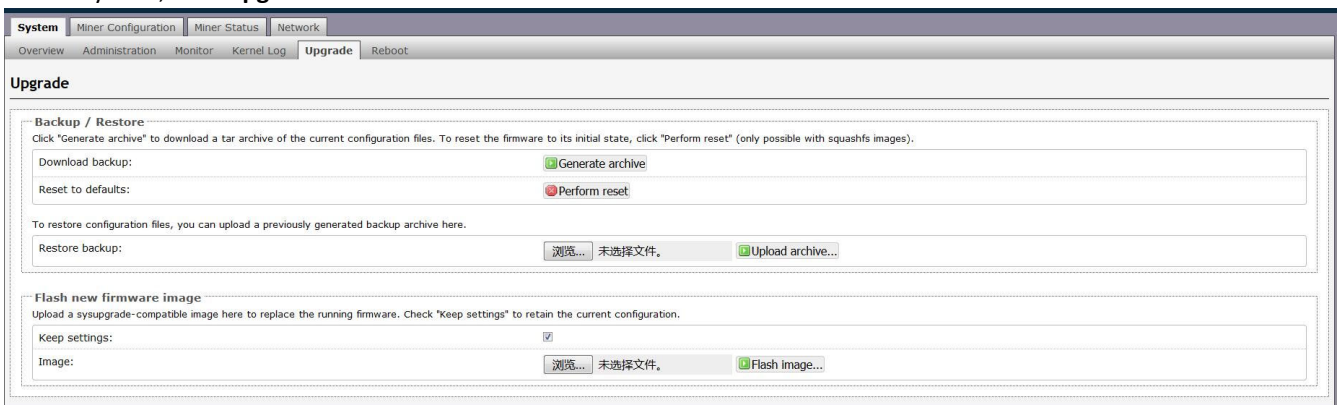
5.2 Upgrading Your System



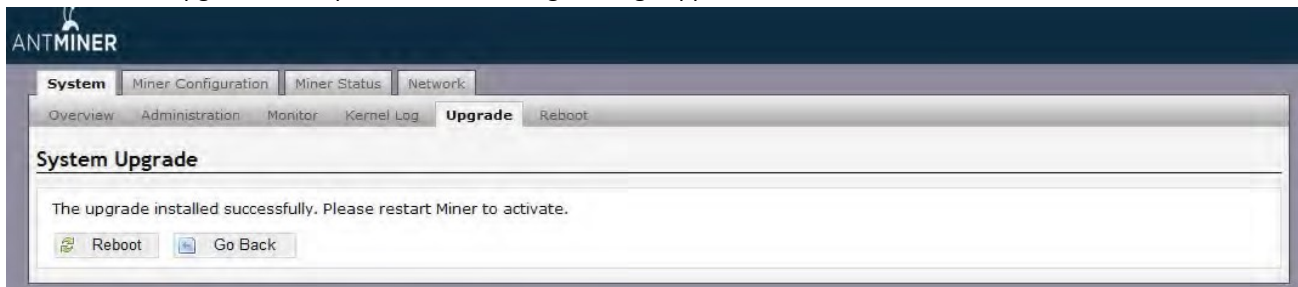
Make sure that the S9k server remains powered during the upgrade process. If power fails before the upgrade is completed, you will need to return it to Bitmain for repair.

To upgrade the server's firmware:

1. In **System**, click **Upgrade**.



2. For **Keep Settings**:
 - Select the check box to keep your current settings (default).
 - Clear the check box to reset the server to default settings.
3. Click the **选择文件 (Browse)** button and navigate to the upgrade file. Select the upgrade file, then click **Flash image**. A message appears notifying you if the S9k firmware can be upgraded and if yes, will then proceed to flash the image.
4. When the upgrade is completed, the following message appears:

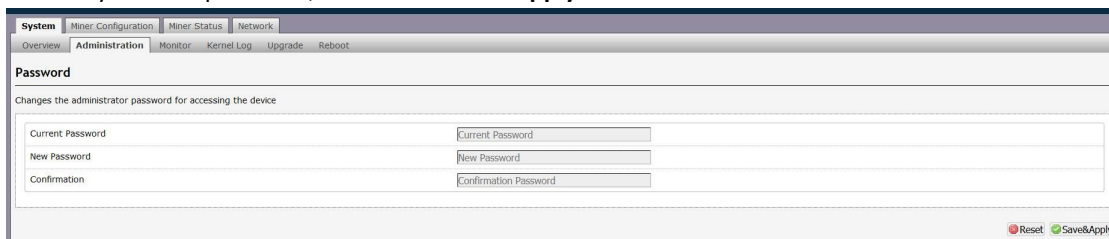


5. Click one of the following options:
 - **Reboot** - to restart the server with the new firmware.
 - **Go Back** - to continue mining with the current firmware. The server will load the new firmware next time when it is restarted.

5.3 Modifying Your Password

To change your login password:

1. In **System**, click the **Administration** tab.
2. Set your new password, then click **Save & Apply**.



5.4 Restoring Initial Settings

To restore your initial settings

1. Turn on the server and let it run for 5 minutes.
2. On the controller front panel, press and hold the **Reset** button for 10 seconds.



Resetting your server will reboot it and restore its default settings. The red LED will automatically flash once every 15 seconds if the reset is operated successfully.

Environmental Requirements

Please run your server in accordance with the following requirements

1. Basic Environmental Requirements:

1.1. Climatic Conditions:

Description	Requirement
Operating Temperature	0-40°C
Operating Humidity	10-90%RH (non-condensing)
Storage Temperature	-20-70°C
Storage Humidity	5-95%RH (non-condensing)
Altitude	<2000m

1.2. Site Requirements of the Server Running Room:

Please keep the server running room away from industrial pollution sources:

For heavy pollution sources such as smelters and coal mines, the distance should be more than 5km.

For moderate pollution sources such as chemical industries, rubber and electroplating industries, the distance should be more than 3.7km.

For light pollution sources such as food factories and leather processing factories, the distance should be more than 2km.

If unavoidable, the site should be chosen in the perennial upwind direction of the pollution source.

Please do not set your location within 3.7km from the seaside or the salt lake. If unavoidable, it should be built as airtight as possible, equipped with air conditioning for cooling.

1.3. Electromagnetic Environmental Conditions:

Please keep your site away from transformers, high-voltage cables, transmission lines and high-current equipment, for example, there should be no high-power AC transformers (>10KA) within 20 meters, and no high-voltage power lines within 50 meters.

Please keep your site away from high-power radio transmitters, for example, there should be no high-power radio transmitters (>1500W) within 100 meters.

2. Other Environmental Requirements :

The server running room shall be free of explosive, conductive, magnetically conductive and corrosive dust. The requirements of mechanical active substances are shown below:

2.1 Requirements of Mechanical Active Substances

Mechanical Active Substance	Requirement
Sand	$\leq 30\text{mg}/\text{m}^3$
Dust (suspended)	$\leq 0.2\text{mg}/\text{m}^3$
Dust (deposited)	$\leq 1.5\text{mg}/\text{m}^2\text{h}$

2.2 Requirements of Corrosive Gas

Corrosive Gas	Unit	Concentration
H ₂ S	ppb	< 3
SO ₂	ppb	< 10
Cl ₂	ppb	< 1
NO ₂	ppb	< 50
HF	ppb	< 1
NH ₃	ppb	< 500
O ₃	ppb	< 2

Note: ppb (part per billion) refers to the unit of concentration , 1ppb stands for the volume ratio of part per billion.

Regulations:

FCC Notice (FOR FCC CERTIFIED MODELS):

This device complies with part 15 of the FCC Rules. Operation is subject to the following two conditions: (1) This device may not cause harmful interference, and (2) this device must accept any interference received, including interference that may cause undesired operation.

Note:

This equipment has been tested and found to comply with the limits for a Class A digital device, pursuant to part 15 of the FCC Rules. These limits are designed to provide reasonable protection against harmful interference when the equipment is operated in a commercial environment. This equipment generates, uses, and can radiate radio frequency energy and, if not installed and used in accordance with the instruction manual, may cause harmful interference to radio communications. Operation of this equipment in a residential area is likely to cause harmful interference in which case the user will be required to correct the interference at his own expense.

EU WEEE: Disposal of Waste Equipment by Users in Private Household in the European Union



This symbol on the product or on its packaging indicates that this product must not be disposed of with your other household waste. Instead, it is your responsibility to dispose of your waste equipment by handing it over to a designated collection point for the recycling of waste electrical and electronic equipment. The separate collection and recycling of your waste equipment at the time of disposal will help to conserve natural resources and ensure that it is recycled in a manner that protects human health and the environment. For more information about where you can drop off your waste equipment for recycling, please contact your local city office, your household waste disposal service or the shop where you purchased the product.

台灣 ROHS:

設備名稱：S9k 服務器，型號：120-K

單元	有害物質					
	鉛 (Pb)	汞 (Hg)	鎘 (Cd)	六價鉻 (Cr+6)	多溴聯苯 (PBB)	多溴二苯醚 (PBDE)
外殼	○	○	○	○	○	○
電路板組件	—	○	○	○	○	○
其他線材	—	○	○	○	○	○

備考 1. “超出 0.1 wt %” 及 “超出 0.01 wt %” 係指限用物質之百分比含量超出百分比含量基準值。
 備考 2. “○” 係指該項限用物質之百分比含量未超出百分比含量基準值。
 備考 3. “—” 係指該項限用物質為排除項目